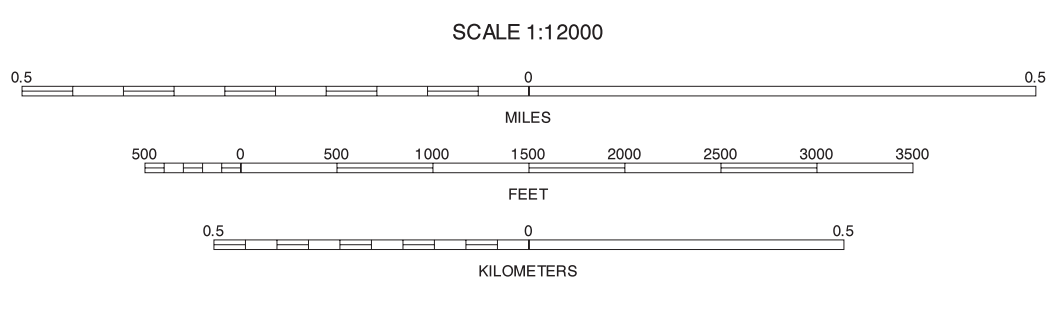
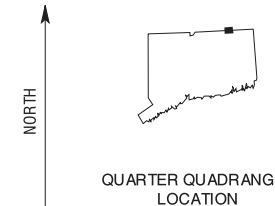




This soil survey was compiled by the U.S. Department of Agriculture, Natural Resources Conservation Service and cooperating agencies. Base maps are orthophotographs prepared by the Natural Resources Conservation Service from 1990-1992 aerial photography. Hydrography and cultural features were acquired from USGS and NRCS and edited to enhance the clarity of the soils information.

North American Datum of 1983 (NAD83), GRS80 Spheroid 1000-meter ticks: Universal Transverse Mercator, zone 18. Coordinate grid ticks and land division data, if shown, are approximately positioned. Digital data are available for this quadrangle.



21	23	21 WALES SW
49	51	23 SOUTHBRIDGE SW
		49 WESTFORD NW
		50 WESTFORD NE
		51 EASTFORD NW

INDEX TO ADJOINING 3.75 MAPS

WALES SE, CONNECTICUT
3.75 MINUTE SERIES
SHEET NUMBER 22 OF 409

Soil map delineations extending beyond the dashed white quadrangle neoline are for reference only and are included on adjacent map sheets.