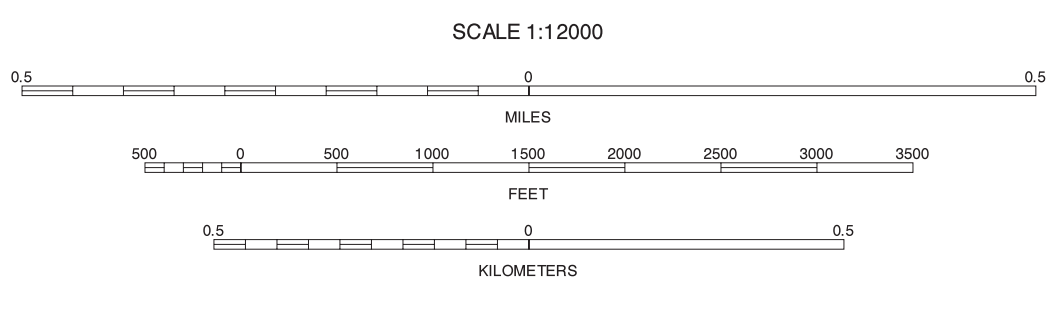


This soil survey was compiled by the U.S. Department of Agriculture, Natural Resources Conservation Service and cooperating agencies. Base maps are orthorectified aerial photographs prepared by the Natural Resources Conservation Service from 1990-1992 aerial photography. Hydrography and cultural features were acquired from USGS and NRCS and edited to enhance the clarity of the soils information.

North American Datum of 1983 (NAD83), GRS80 Spheroid 1000-meter ticks: Universal Transverse Mercator, zone 18. Coordinate grid ticks and land division data, if shown, are approximately positioned. Digital data are available for this quadrangle.



276	279	280	278 HAMBURG NW
			279 HAMBURG NE
			280 MONTVILLE NW
307		309	307 HAMBURG SW
			309 MONTVILLE SW
			308 OLD LYME NW
			337 OLD LYME NE
336	337	338	338 NIANTIC NW

INDEX TO ADJOINING 3.75 MINUTE MAPS

**HAMBURG SE, CONNECTICUT**  
3.75 MINUTE SERIES  
SHEET NUMBER 308 OF 409

Soil map delineations extending beyond the dashed white quadrangle neartline are for reference only and are included on adjacent map sheets.